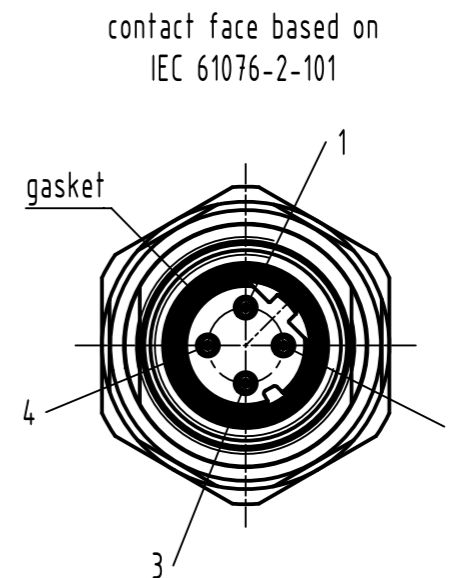
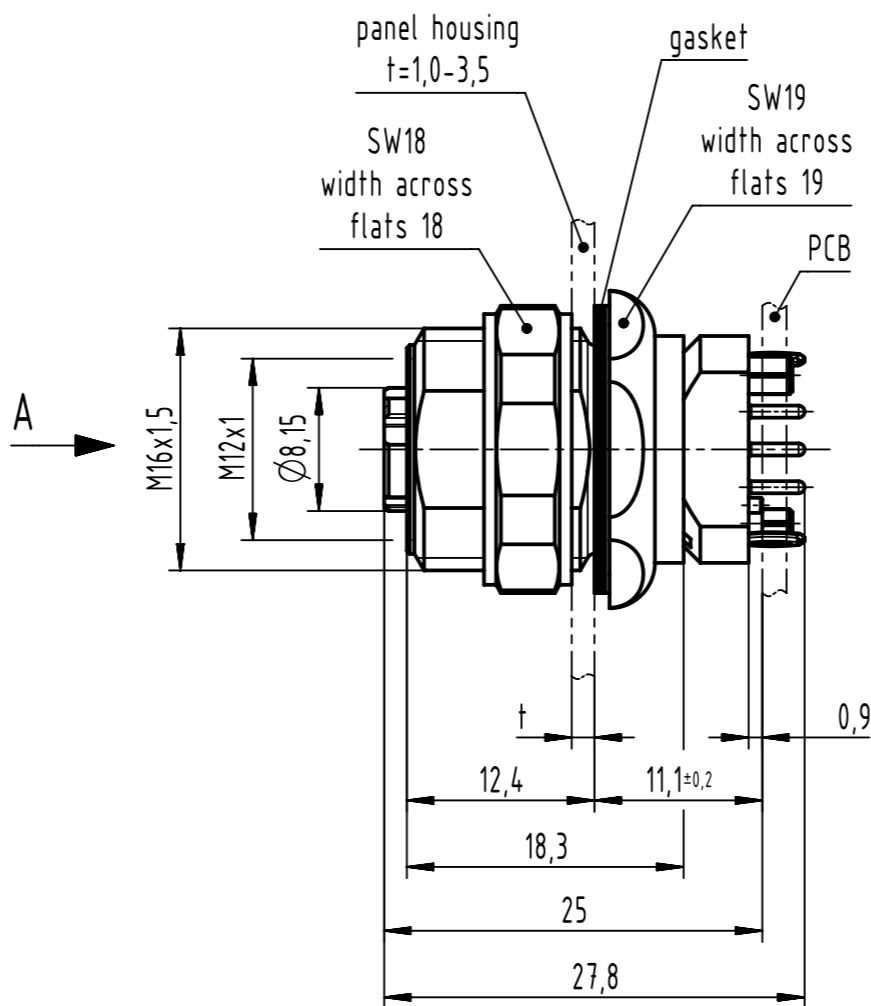
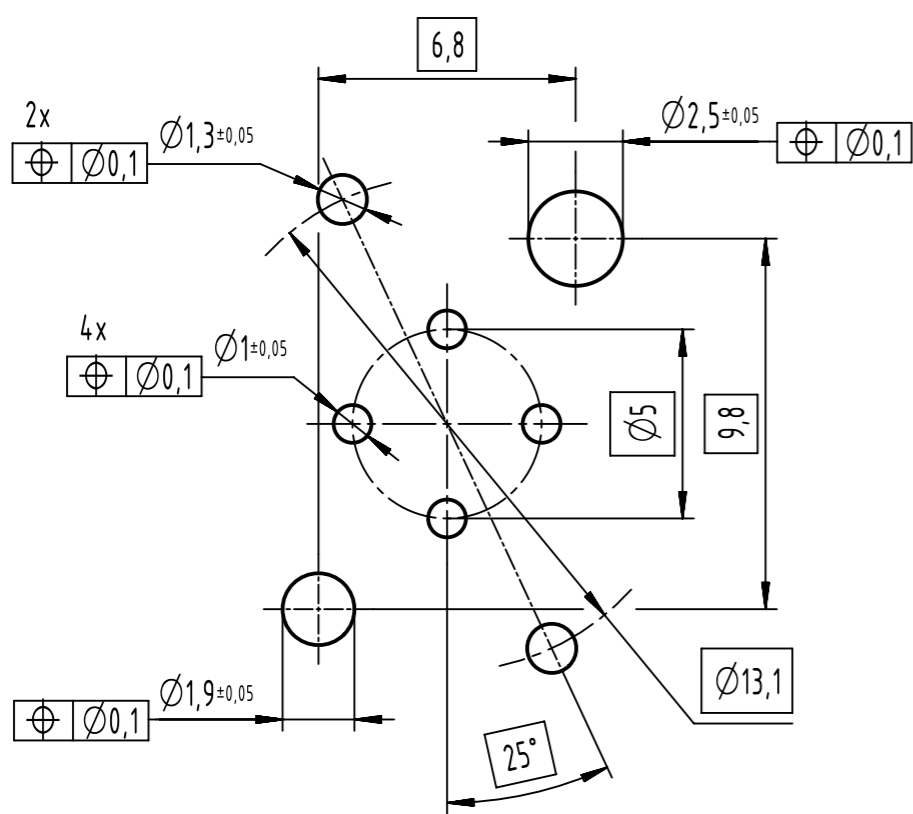
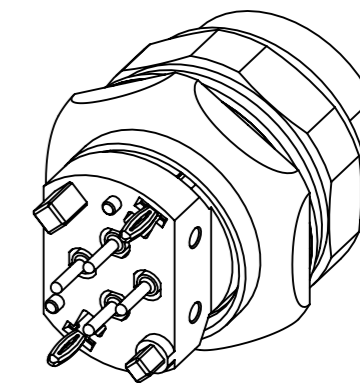
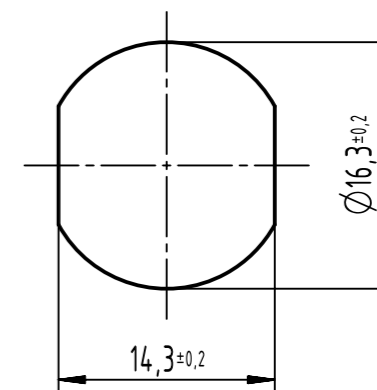


recommended PCB-layout
A (5:1)



panel cut out



- 1 pcs. single package

	All Dimensions in mm Original Size DIN A3		Scale 2:1	Free size tol.		Ref.
	All rights reserved Department EL PD		Created by HASSE	Inspected by 104122	Standardisation SAP_WFRT	Date 2021-10-22
HARTING D-32339 Espelkamp		Title M12-PCB-THR-2PC-4P-DCOD-F-STR			Doc-Key / ECM-Nr. 100568995/UGD/000/D 50000204328	
		Type TB	Number 21033812430		Rev. D	Page 1/1